

Hydraulic Cable Deployed Pump With Water Jetting Agitator - 10 Inch

MODEL

10-Inch JPH 10000 Cable Deployed Pump with Jetting Ring

OPERATING LEVELS

MIN FLOW	1200 GPM
MAX FLOW	5000 GPM
HEAD RANGE	Up to 200 ft
DISCHARGE SIZE	10 inch
SUCTION SIZE	12 inch
SOLIDS HANDLING	Solids up to 9 inches
MAX SPEED	1800 RPM
PERCENT SOLIDS	Up to 40-70% Solids
CU YD MATERIAL HR	300-350
DREDGING DEPTH	Up to 100 ft



*For illustration purposes hydraulic and electric powered units are featured.

RECOMMENDED SENSORS

Hydraulic Pressure Gauge for pump circuit to operator (0-6000 PSI)

Magnetic Flow meter to maintain stable plug free pipeline flow and maximize production

REQUIRED EQUIPMENT TO OPERATE ATTACHMENT

EDDY Pump circuit requirements from excavator auxiliary power OR from Hydraulic Power Unit 120-160 GPM at 5000 PSI (500cc motor)

Jetting Ring Agitator. Water Pump Requirements, GPM 400-1000 at 150 PSI Max

10" material handling discharge hose and hydraulic lines plumbed out to the end of the boom

Crossover check valve to prevent damage to hydraulic motor and prevent pump rotor from coming off

OPTIONAL EQUIPMENT TO ENHANCE OPERATION OF DREDGE

Magnetic flow meter

Discharge line pressure gauge (0-150 psi)

"Quick Prime" Valve (requires small 24volt air system)

Pivot mounted Discharge hose carrier (adaptable to most machines)

Cable Hung Unit Can Convert to be Compatible with Liner Safe Roller Attachment and Self Cleaning Mud Guard

Recirculation system for pre-mixing applications (requires small 24 volt air system)



The Cable Deployed Pump with Jetting Ring Agitator is a non-clog pump designed for high solids industrial pumping applications. Our patented pump technology outperforms all centrifugal, vortex and positive displacement pumps in a variety of the most difficult pumping applications. Increase or decrease water flow and adjust jetting pattern to suit your project demands.

Available in alternative power options and pump sizes depending on your application.

Applications

- Barge Unloading
- Deep Water Dredging
- Mining
- Sand & Agg
- Oil & Gas
- Fly ash & Coal Ash

Features and Benefits

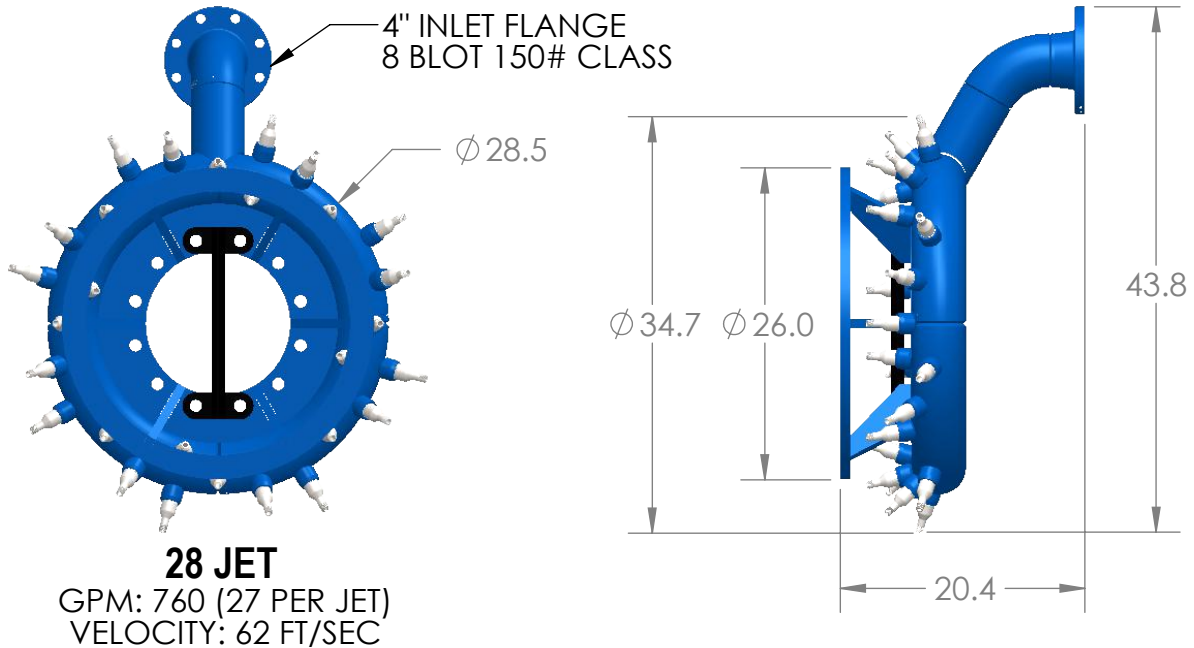
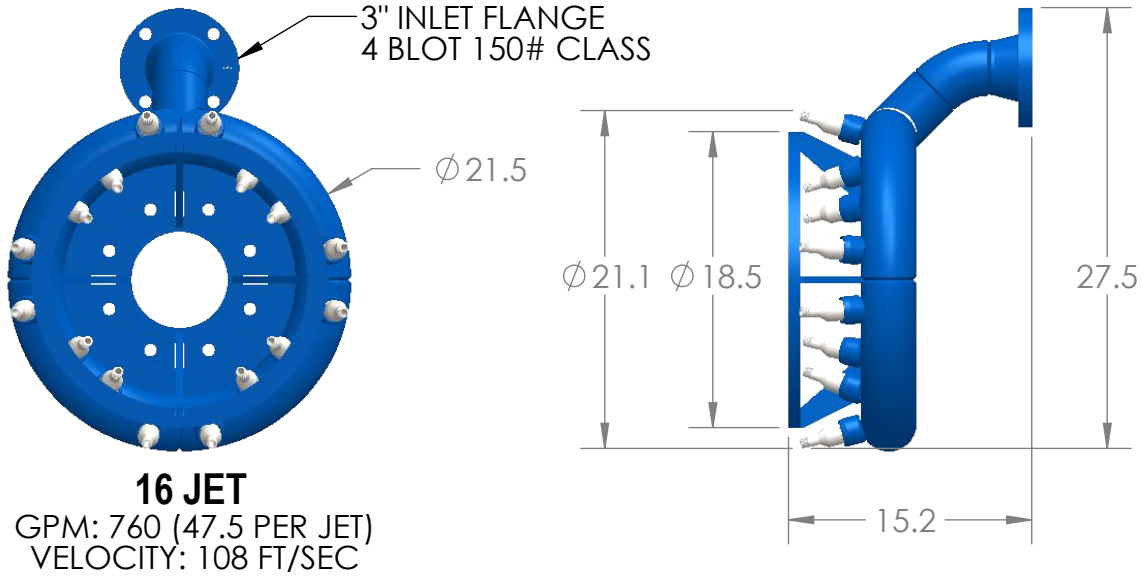
- Non-Clog, High Viscosity, High Specific Gravity, High Abrasives, Low pH Pumping Design
- Transport 40-70% Solids
- Ability to pump objects of up to 9-inches in diameter

Fluid Pumped

- Sludge
- Slurry
- Drilling Mud
- Mine Tailings
- Grit
- Sand Mixtures

GENERAL SPECS		
Production: 3500-4000 GPM or 300-350 cubic yards of material per hour		
Head with 500cc hydraulic motor (23" rotor) 200 gpm oil @5000PSI	Up to 200 feet	Up to 60.96m
Overall Weight (without optional equipment)	7,500 lbs	3400 kg
Overall Length	154 inches	3.9 m
Overall Height	48 inches	1.2 m
Overall Width with discharge pipe removed	46 inches	1.17 m
Overall Width with discharge pipe mounted (right side)	57 inches	1.45 m
Carrier Weight Range	20 + tons	18,143+ kg
Standard Jetting Ring Diameter	36 inches	.91 m
Double seal with Sealed Barrier fluid tank (allow dry run)	3.5 inch	89 mm

JETTING RING HEAD SPEC SHEET



**GPM & VELOCITY CALCULATION BASED ON
4" CENTRIFUGAL WATER PUMP, 760 GPM WITH 81' HEAD



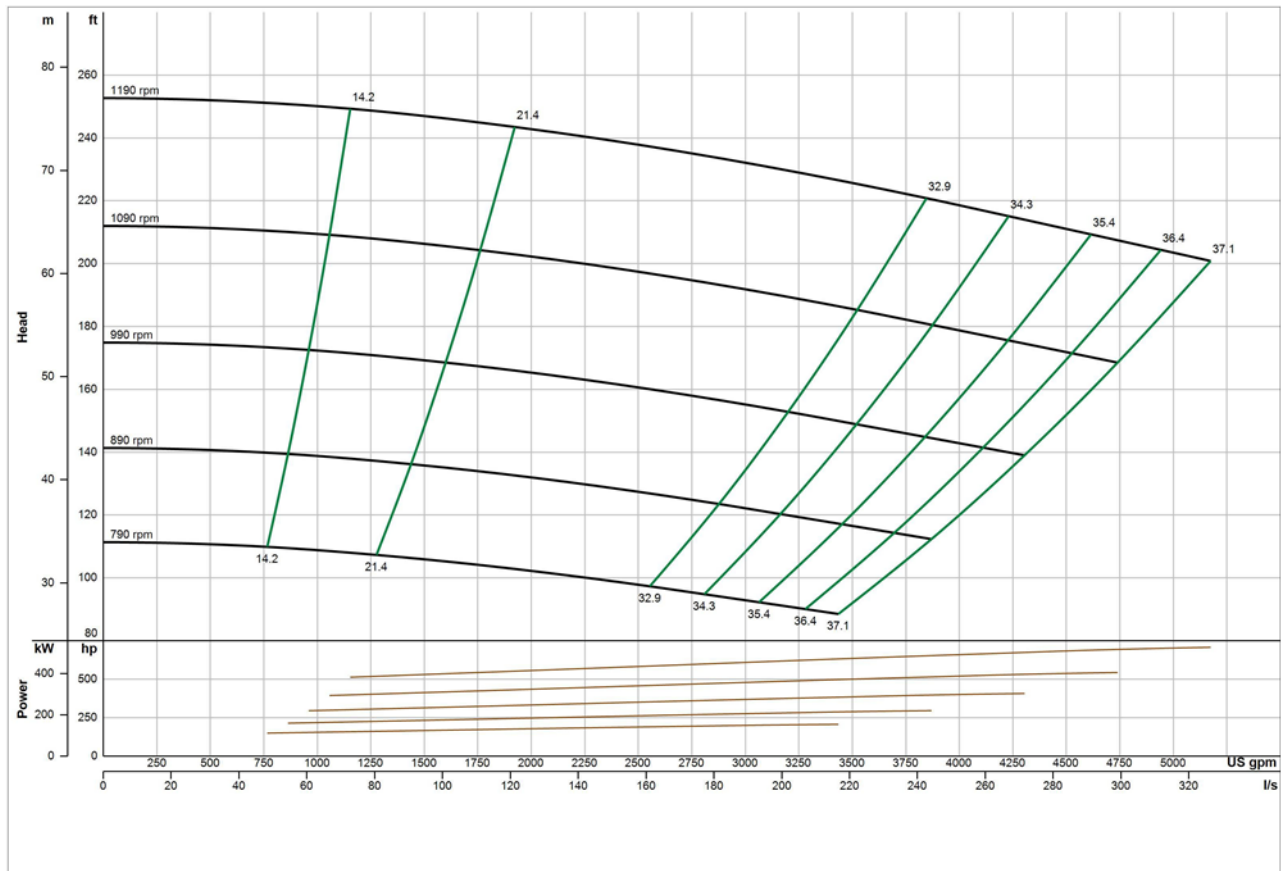
REPLACEMENT
JETTING NOZZLE

SIZE	JETS	PART #
EXF4K	16	16025
EXF6K, EXF8K, EXF10K	28	12882

PUMP CURVE

A pump curve is a graphical representation of a pumps ability to produce flow against a certain head. The science is matching a curve that is accurate for your project, leading to the proper pump selection and best efficiency. **EDDY Pumps** are primarily used for high solids, slurry, sludge, and dewatering.

EDDY Pump - 10 Inch HD 10000 Heavy Duty Slurry Pump - Pump Curve



*General pump curve based on water with 1200 RPM motor. Contact us with your specific material for a custom pump curve.

WE PUMP SOLIDS, NOT WATER

CONTACT US



(619) 258-7020



info@EddyPump.com