

## Electric Cable Deployed Pump With Water Jetting Agitator - 6 Inch

### MODEL #

6-Inch JPE 6000 Electric Cable Deployed Pump with Jetting Ring

### OPERATING LEVELS

<b>MIN FLOW</b>	450 GPM
<b>MAX FLOW</b>	2000 GPM
<b>HEAD RANGE</b>	Up to 200 ft
<b>DISCHARGE SIZE</b>	6 inch
<b>SUCTION SIZE</b>	8 inch
<b>SOLIDS HANDLING</b>	Solids up to 5 inches
<b>MAX SPEED</b>	1800 RPM
<b>PERCENT SOLIDS</b>	Up to 40-70% Solids
<b>CU YD MATERIAL HR</b>	150-200
<b>DREDGING DEPTH</b>	Up to 100 ft



\*For illustration purposes hydraulic and electric powered units are featured.

### RECOMMENDED SENSORS

Doppler Wireless Slurry Flow Meter to maintain stable plug free pipeline flow and maximize production

### REQUIRED EQUIPMENT TO OPERATE ATTACHMENT

Jetting Ring Agitator. Water Pump Requirements, GPM 400-1000 at 150 PSI Max.

6" material handling discharge hose

### OPTIONAL EQUIPMENT TO ENHANCE OPERATION OF DREDGE

Doppler Wireless Slurry Flow Meter

Discharge line pressure gauge (0-150 psi)

"Quick Prime" Valve (requires small 24volt air system)

Pivot mounted Discharge hose carrier (adaptable to most machines)

Cable Hung Unit Can Convert to be Compatible with Liner Safe Roller Attachment and Self Cleaning Mud Guard

Recirculation system for pre-mixing applications (requires small 24-volt air system)



**The Cable Deployed Pump with Jetting Ring Agitator** is a non-clog pump designed for high solids industrial pumping applications. Our patented pump technology outperforms all centrifugal, vortex and positive displacement pumps in a variety of the most difficult pumping applications. Increase or decrease water flow and adjust jetting pattern to suit your project demands.

Available in alternative power options and pump sizes depending on your application.

### Applications

- Barge Unloading
- Deep Water Dredging
- Mining
- Sand & Agg
- Oil & Gas
- Fly ash & Coal Ash

### Features and Benefits

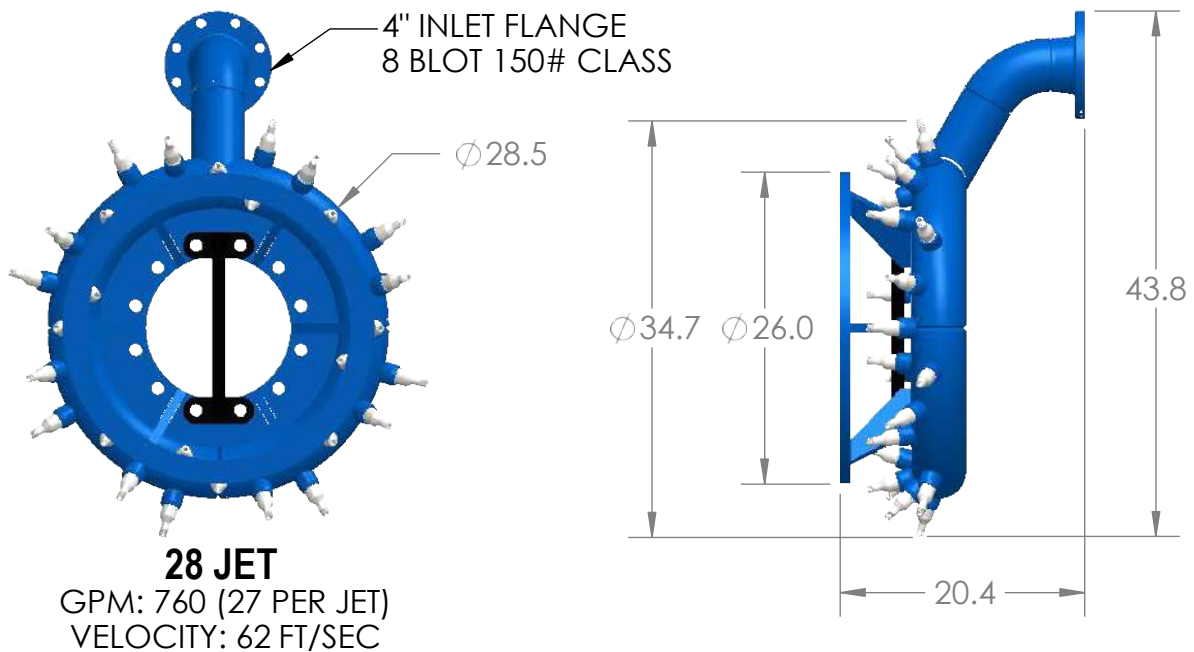
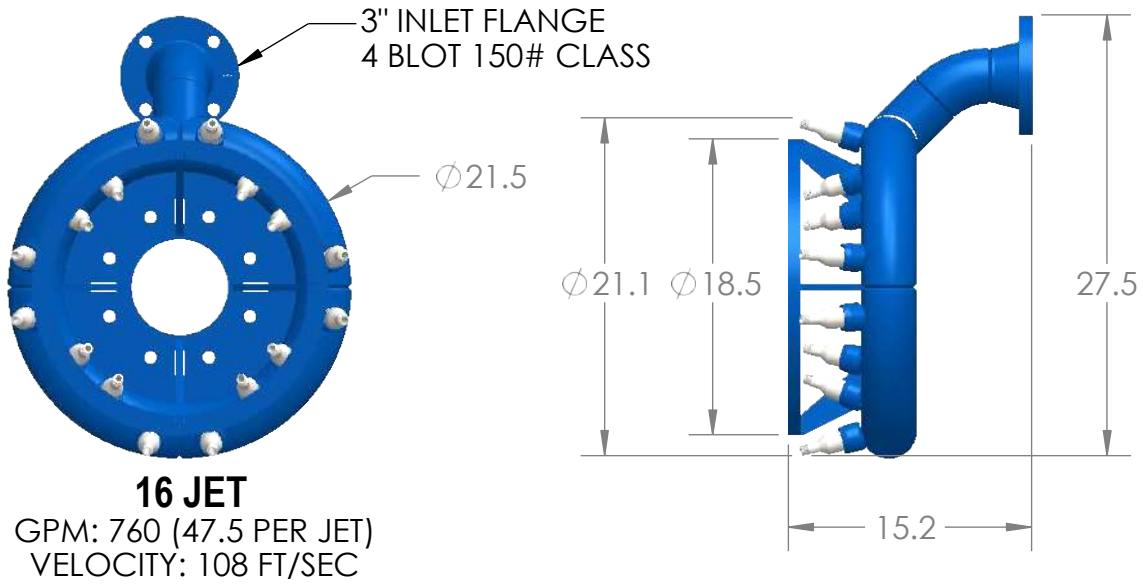
- Non-Clog, High Viscosity, High Specific Gravity, High Abrasives, Low pH Pumping Design
- Transport 40-70% Solids
- Ability to pump objects of up to 9-inches in diameter

### Fluid Pumped

- Sludge
- Slurry
- Drilling Mud
- Mine Tailings
- Grit
- Sand Mixtures

GENERAL SPECS		
Production: 450-2000 GPM or 150-200 cubic yards of material per hour		
Head with 80cc hydraulic motor (16" rotor)	Up to 200 feet	Up to 61m
Overall Weight (without optional equipment)	4,800 lbs	2,177 kg
Overall Length	133 inches	2.87 m
Overall Height	37 inches	.94 m
Overall Width with discharge pipe removed	28 inches	0.7 m
Overall Width with discharge pipe mounted (right side)	38 inches	0.97 m
Carrier Weight Range	20-45 tons	18,000-40,000 kg
Standard Jetting Ring Diameter	36 inches	.91m
Double seal with Sealed Barrier fluid tank (allow dry run)	3 inches	76.2 mm

## JETTING RING HEAD SPEC SHEET



\*\*GPM & VELOCITY CALCULATION BASED ON  
4" CENTRIFUGAL WATER PUMP, 760 GPM WITH 81' HEAD



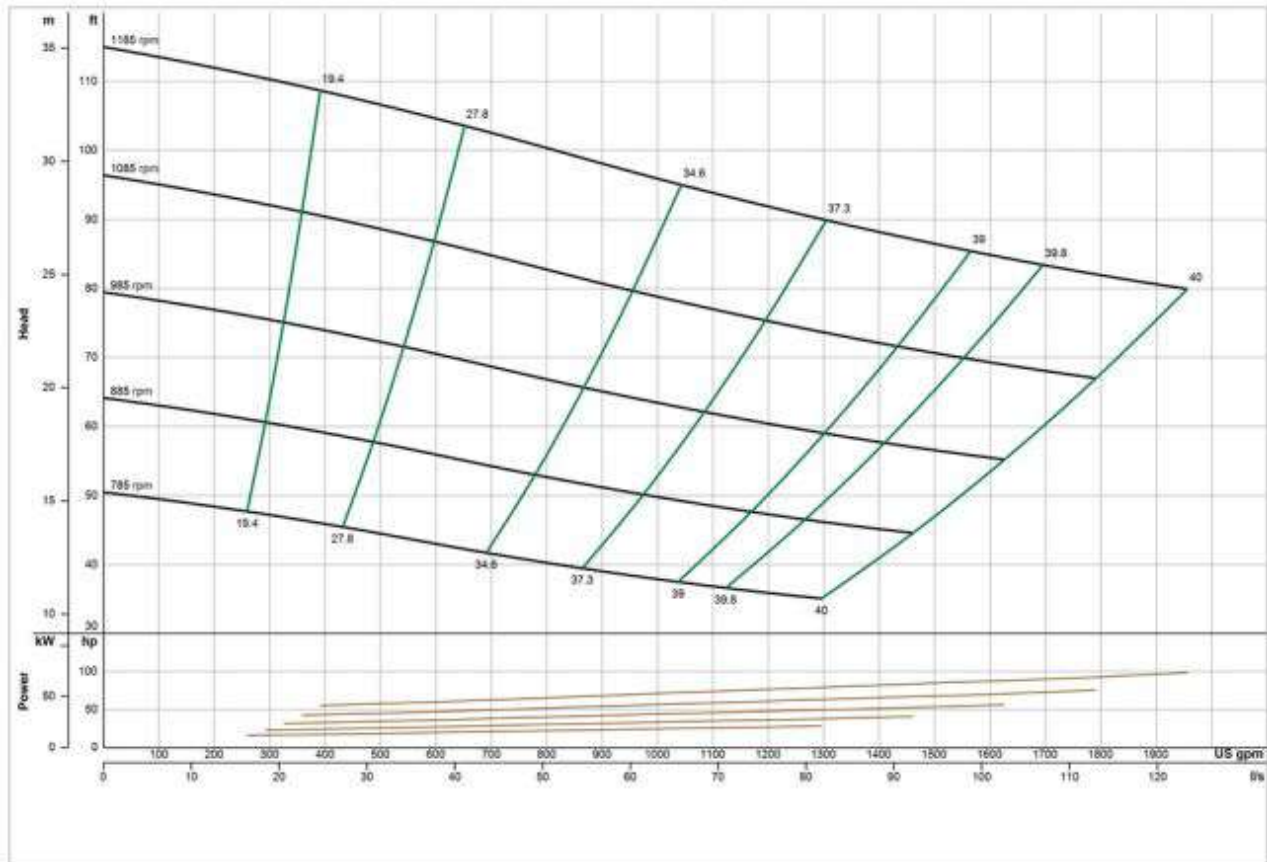
REPLACEMENT  
JETTING NOZZLE

SIZE	JETS	PART #
EXF4K	16	16025
EXF6K, EXF8K, EXF10K	28	12882

## PUMP CURVE

A pump curve is a graphical representation of a pumps ability to produce flow against a certain head. The science is matching a curve that is accurate for your project, leading to the proper pump selection and best efficiency. **EDDY Pumps** are primarily used for high solids, slurry, sludge, and dewatering.

**EDDY Pump - 6 Inch HD 6000 Heavy Duty Slurry Pump - Pump Curve**



\*General pump curve based on water with 1800 RPM motor. Contact us with your specific material for a custom pump curve.

## WE PUMP SOLIDS, NOT WATER

**CONTACT US**



**(619) 258-7020**



**info@EddyPump.com**