

Electric Diver Operated - 6 Inch

MODEL

6-Inch HD 6000 Electric Diver Operated

OPERATING LEVELS

MIN FLOW	450 GPM
MAX FLOW	2000 GPM
HEAD RANGE	Up to 200 ft
DISCHARGE SIZE	6 inch
SUCTION SIZE	8 inch
SOLIDS HANDLING	Solids up to 4.5 inches
PERCENT SOLIDS	Up to 40-70% Solids
CU YD MATERIAL HR	150-200



*Typical Attachment Photo. Photos for general guidance. Contact us for further details.

RECOMMENDED SENSORS

Dopper Wireless Slurry Flow meter to maintain stable plug free pipeline flow and maximize production

REQUIRED EQUIPMENT TO OPERATE ATTACHMENT

Generator with 225KW or greater needed.

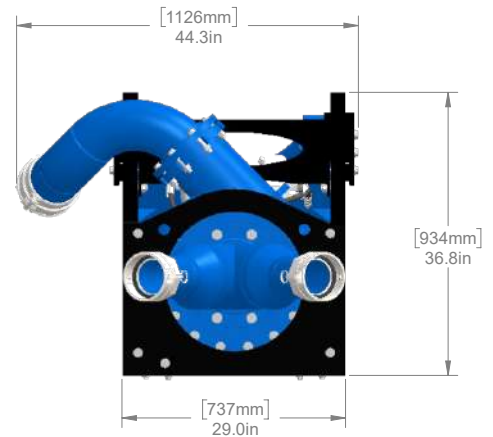
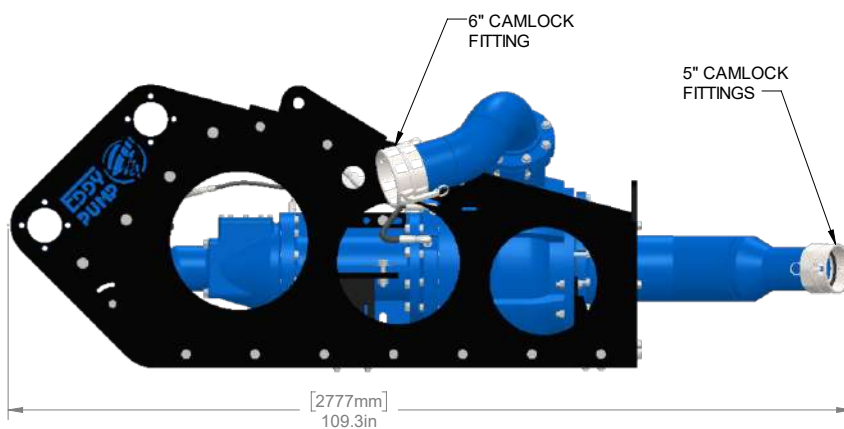
6" material handling discharge hose and two 5" material handling suction hoses.

EDDY Pump industrial Excavator Dredge Pump Attachments are non-clog pumps designed for high solids industrial pumping applications. Our patented pump technology outperforms all centrifugal, vortex and positive displacement pumps in a variety of the most difficult pumping applications.

Also available in a 6" single diver nozzle configuration.

GENERAL SPECS

Overall Weight (without optional equipment)	3,800 lbs	1,724 kg
---	-----------	----------

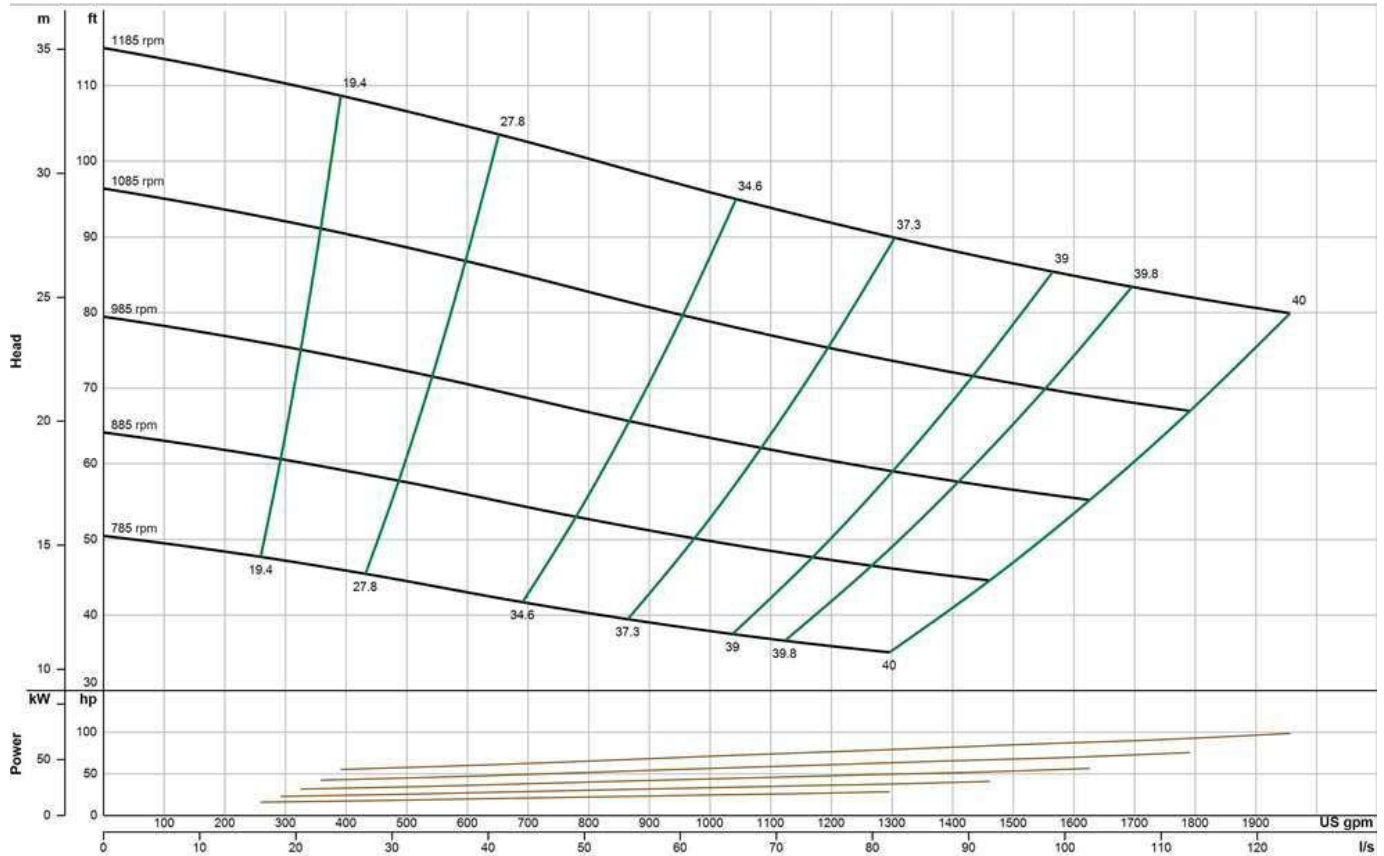




PUMP CURVE

A pump curve is a graphical representation of a pumps ability to produce flow against a certain head. The science is matching a curve that is accurate for your project, leading to the proper pump selection and best efficiency.

EDDY Pumps are primarily used for high solids, slurry, sludge, and dewatering.



EDDY Pump – HD6K Electric Diver Operated - Pump Curve

*General pump curve based on water at 1200 RPM. Contact us with your specific material for a custom pump curve.

WE PUMP SOLIDS, NOT WATER

CONTACT US



(619) 258-7020



info@EddyPump.com