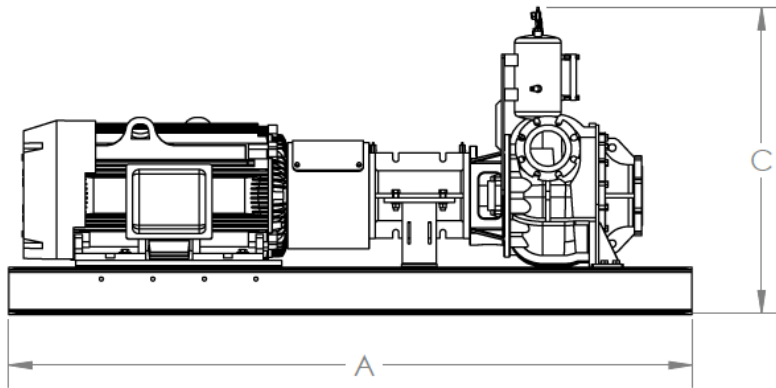
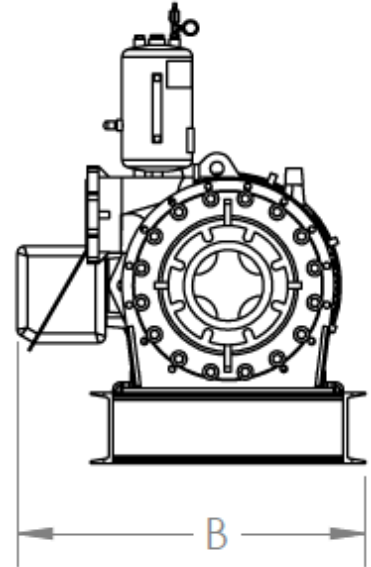
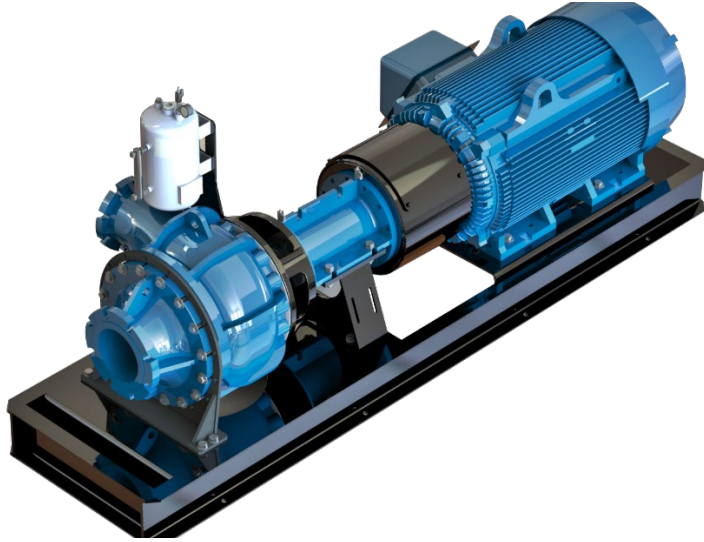


# 8-inch HD Process Pump

## Weights & Dimensions

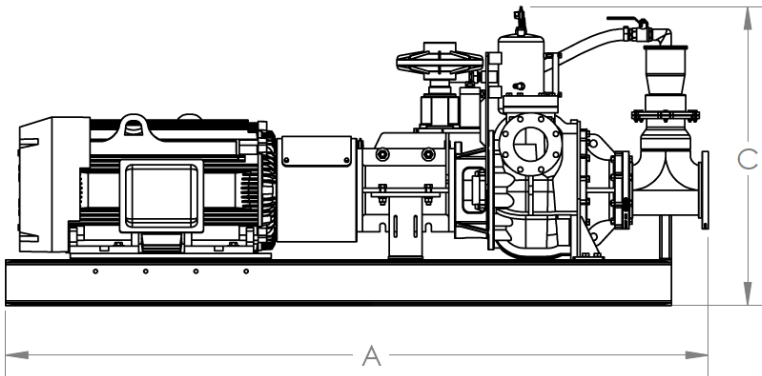
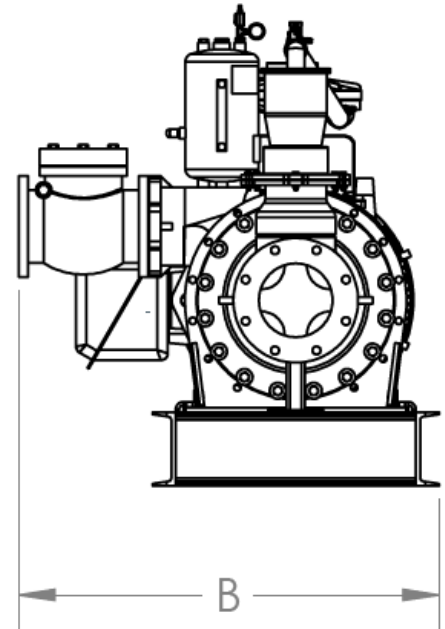
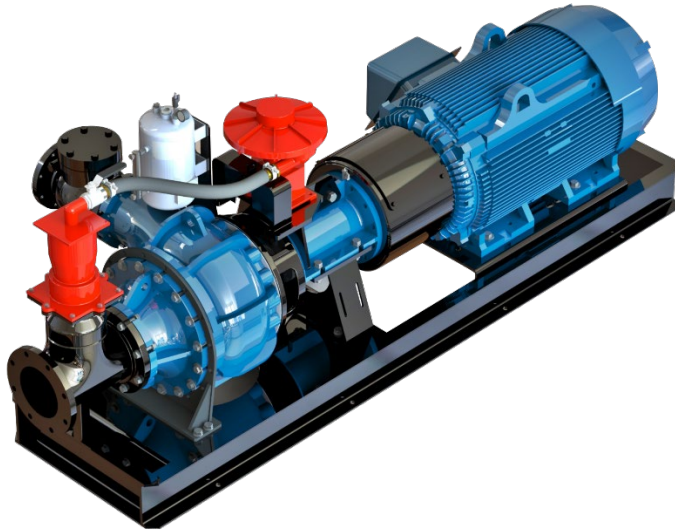
- TEFC PUMP
- TEFC WITH SELF-PRIMING
- TEFC WHISTLEPIPE

**HD PROCESS PUMP, HD8K TEFC ELECTRIC FLEX COUPLED**



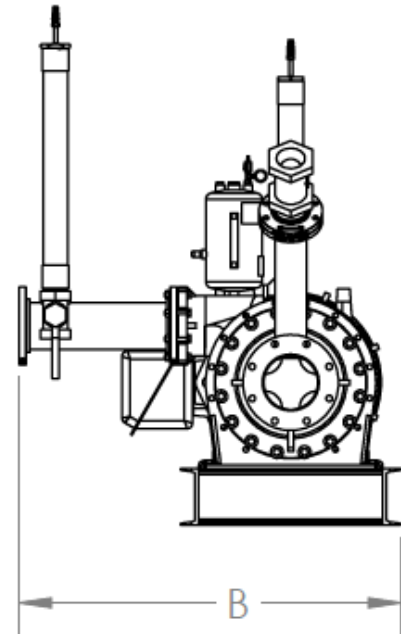
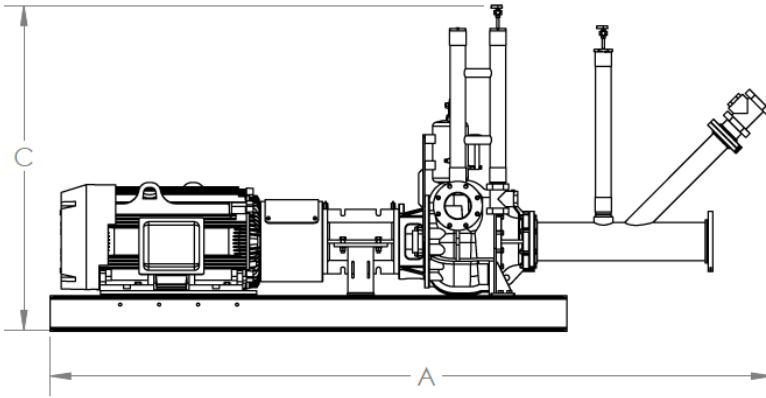
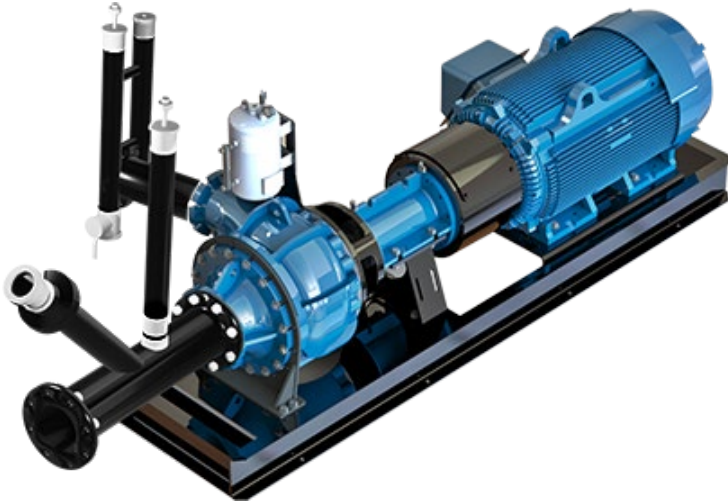
MODEL TYPE	SUCTION X DISCHARGE [IN]	NEMA FRAME	HP	RPM	A [IN]	B [IN]	C [IN]	WEIGHT LBS
HD8K	10x8	447TC	125	900	127	51	57	6848
HD8K	10x8		150	900	127	51	57	6848
HD8K	10x8		200	900	127	51	57	6848
HD8K	10x8	L449TC	250	900	127	51	57	8351
HD8K	10x8		300	1200	127	51	57	8351
HD8K	10x8	449TC	350	1200	127	51	57	7281
HD8K	10x8		400	1200	127	51	57	7281

**HD PROCESS PUMP, HD8K TEFC ELECTRIC  
SELF-PRIME FLEX COUPLED**



MODEL TYPE	SUCTION X DISCHARGE [IN]	NEMA FRAME	HP	RPM	A [IN]	B [IN]	C [IN]	WEIGHT LBS
HD8K	10x8	447CT	125	900	146	51	58	7709
HD8K	10x8		150	900	146	51	58	7709
HD8K	10x8		200	900	146	51	58	7709
HD8K	10x8	L449TC	250	900	146	51	58	9212
HD8K	10x8		300	1200	146	51	58	9212
HD8K	10x8	449TC	350	1200	146	51	58	8142
HD8K	10x8		400	1200	146	51	58	8142

**HD PROCESS PUMP, HD8K TEFC ELECTRIC  
FLEX COUPLED PUMP WITH WHISTLEPIPE**



MODEL TYPE	SUCTION X DISCHARGE [IN]	NEMA FRAME	HP	RPM	A [IN]	B [IN]	C [IN]	WEIGHT LBS
HD8K	8x6	447CT	125	900	175	66	90	7125
HD8K	8x6		150	900	175	66	90	7125
HD8K	8x6		200	900	175	66	90	7125
HD8K	8x6	L449TC	250	900	175	66	90	8628
HD8K	8x6		300	1200	175	66	90	8628
HD8K	8x6	449TC	350	1200	175	66	90	7558
HD8K	8x6		400	1200	175	66	90	7558