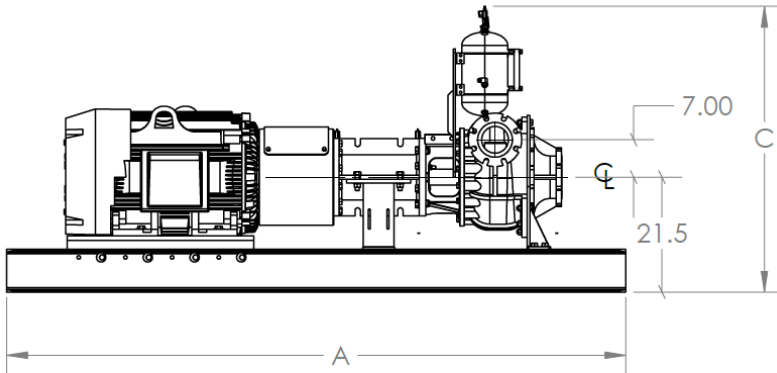
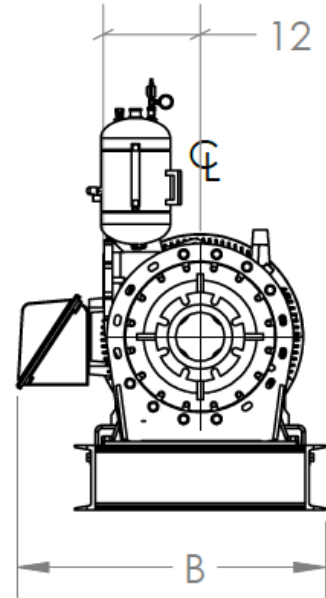
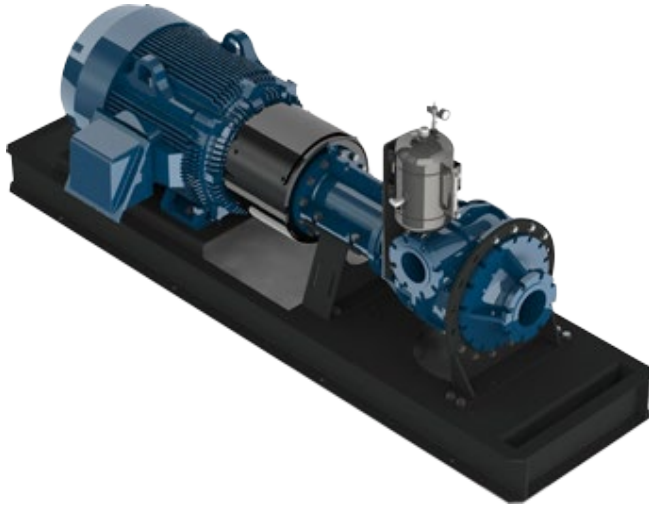


# 5-inch HD Process Pump

## Weights & Dimensions

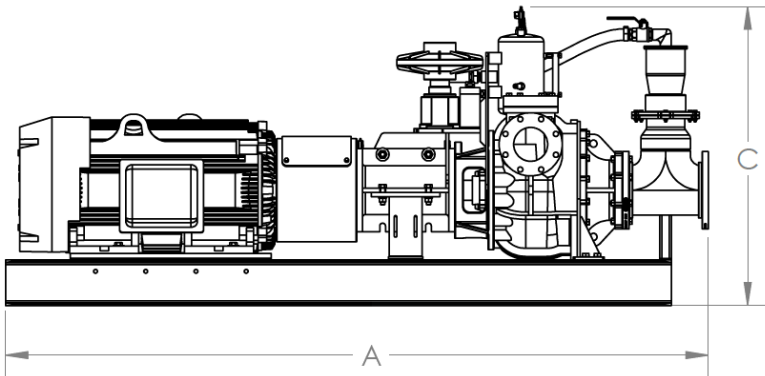
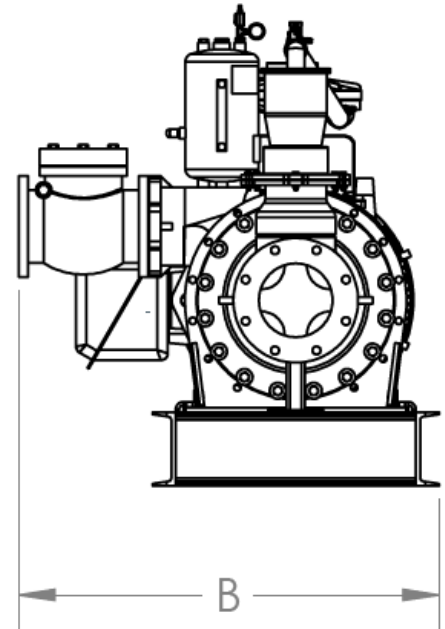
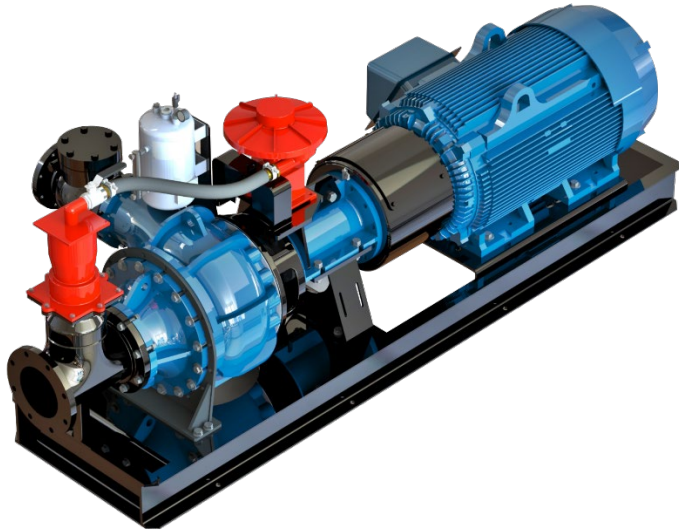
- FLEX COUPLED PUMP
- SELF-PRIME
- WHISTLEPIPE

## HD PROCESS PUMP, HD5K TEFC ELECTRIC FLEX COUPLED



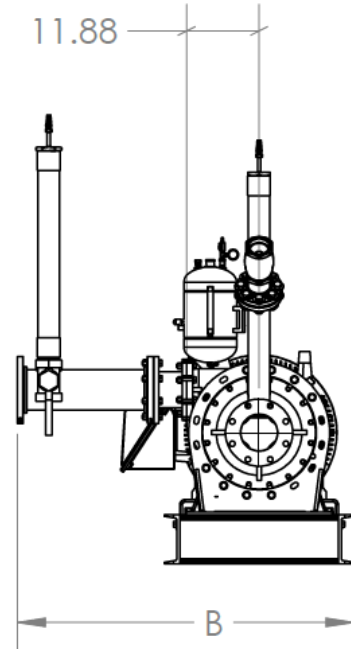
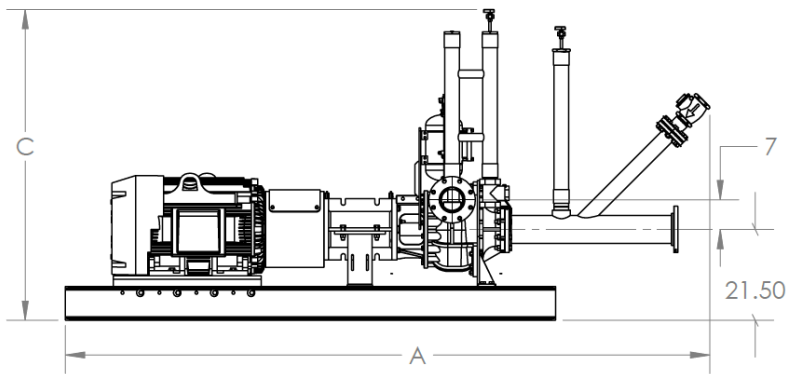
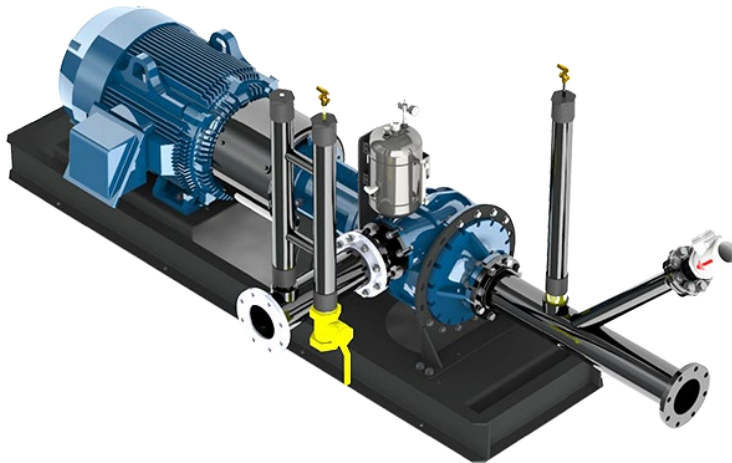
MODEL TYPE	SUCTION X DISCHARGE [IN]	NEMA FRAME	HP	RPM	A [IN]	B [IN]	C [IN]	WEIGHT LBS
HD5K	8x6	365TC	50	1200	116	34	52	3444
HD5K	8x6	444TC	75	1200	116	38	52	4274
HD5K	8x6		100	1200	116	38	52	4274
HD5K	8x6		125	1200	116	38	52	4274
HD5K	8x6		125	1800	116	38	52	4729
HD5K	8x6	445TC	150	1800	116	38	52	4729
HD5K	8x6		200	1800	116	38	52	4729
HD5K	8x6		150	1200	116	39	52	5032
HD5K	8x6	449TC	250	1800	116	39	52	5525

## HD PROCESS PUMP, HD6K TEFC ELECTRIC SELF-PRIME FLEX COUPLED



MODEL TYPE	SUCTION X DISCHARGE [IN]	NEMA FRAME	HP	RPM	A [IN]	B [IN]	C [IN]	WEIGHT LBS
HD5K	6x5	365TC	50	1200	116	47	52	4275
HD5K	6x5	444CT	75	1200	116	47	52	5025
HD5K	6x5		100	1200	116	47	52	5025
HD5K	6x5		125	1200	116	47	52	5025
HD5K	6x5		125	1800	116	47	52	5518
HD5K	6x5	445TC	150	1800	116	47	52	5518
HD5K	6x5		200	1800	116	47	52	5518
HD5K	6x5		150	1200	116	47	52	5901
HD5K	6x5	449TC	250	1800	116	47	52	6356

**HD PROCESS PUMP, HD6K TEFC ELECTRIC  
FLEX COUPLED PUMP WITH WHISTLEPIPE**



MODEL TYPE	SUCTION X DISCHARGE [IN]	NEMA FRAME	HP	RPM	A [IN]	B [IN]	C [IN]	WEIGHT LBS
HD5K	8x6	365TC	50	1200	153	74	55	4672
HD5K	8x6	444CT	75	1200	153	74	55	5502
HD5K	8x6		100	1200	153	74	55	5502
HD5K	8x6		125	1200	153	74	55	5502
HD5K	8x6		125	1800	153	74	55	5957
HD5K	8x6	445TC	150	1800	153	74	55	5957
HD5K	8x6		200	1800	153	74	55	5957
HD5K	8x6		150	1200	153	74	55	6260
HD5K	8x6	449TC	250	1800	153	74	55	6753