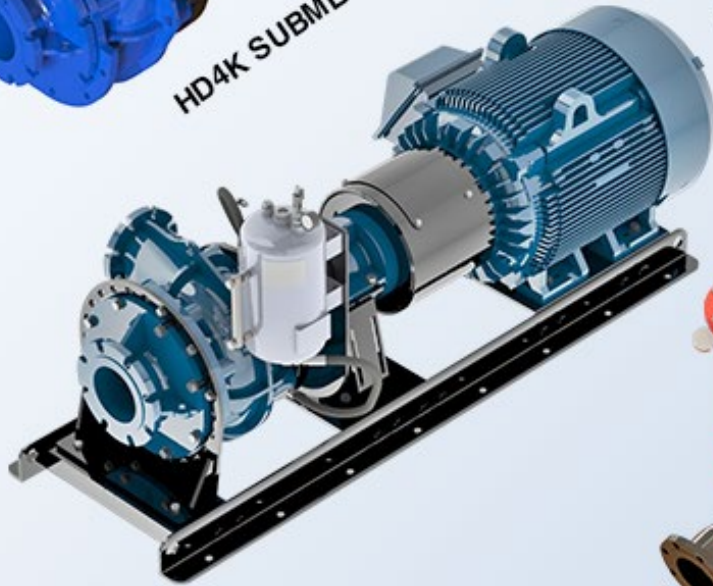




HD4K SUBMERSIBLE

HD PROCESS PUMP
HD4K TEFC ELECTRIC
FLEX COUPLED



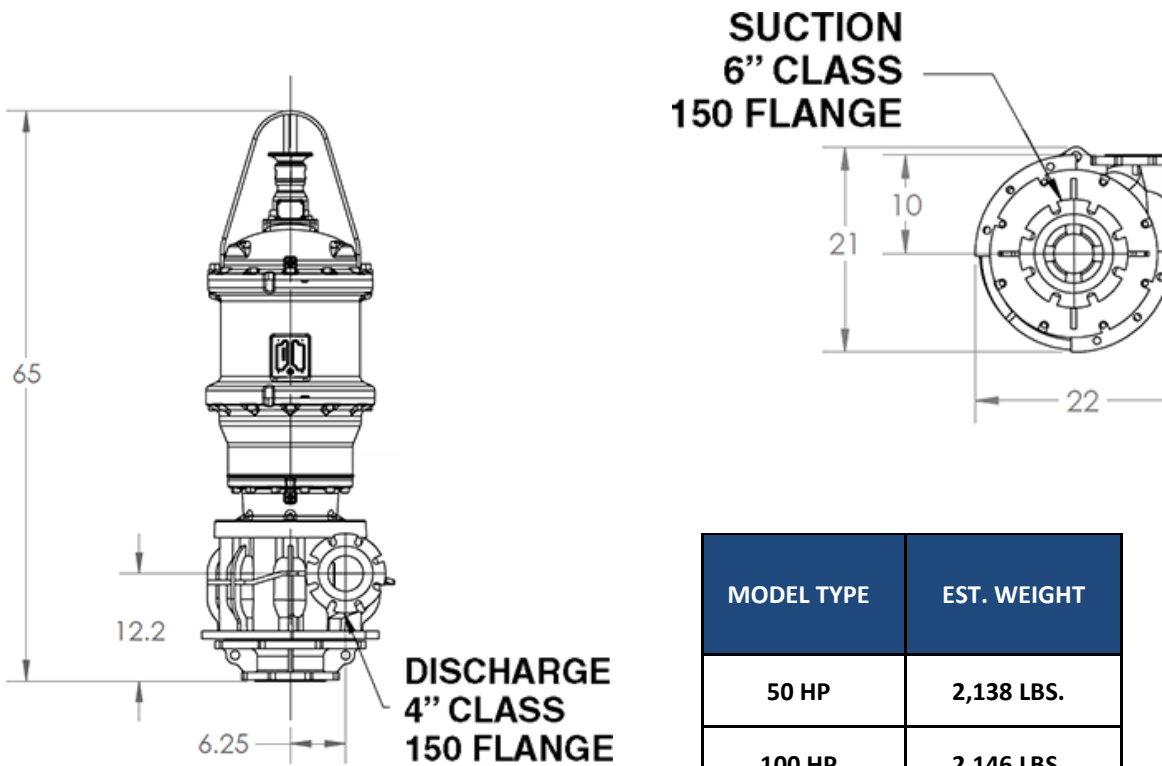
HD PROCESS PUMP, HD4K TEFC
ELECTRIC SELF-PRIME FLEX COUPLED

4-inch HD Process Pump

Weights & Dimensions

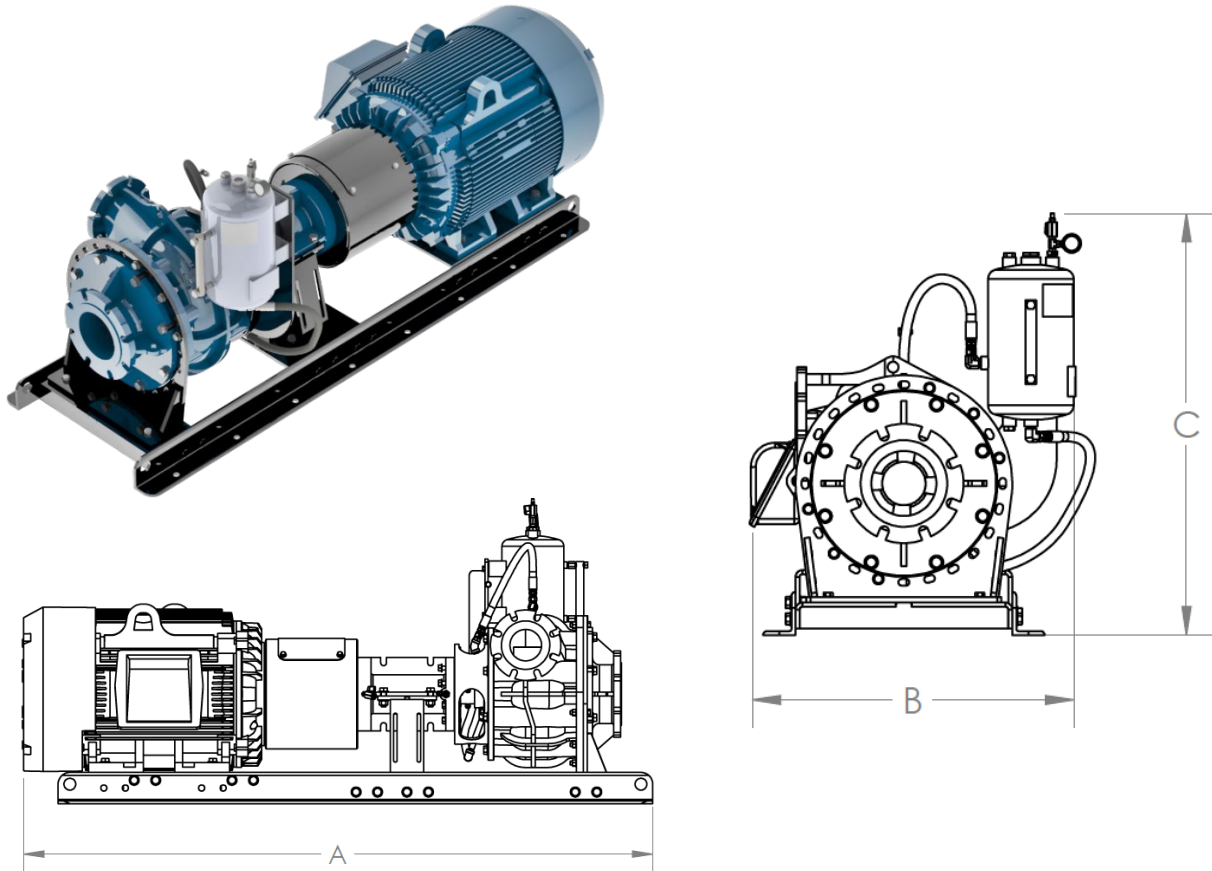
- SUBMERSIBLE PUMP
- TEFC PUMP
- TEFC WITH SELF-PRIMING

HD4K SUBMERSIBLE



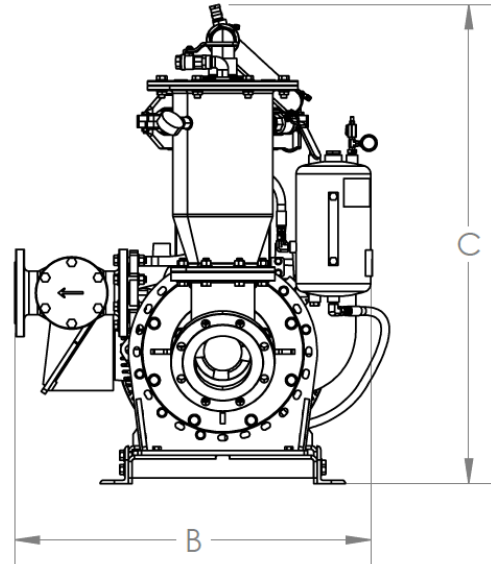
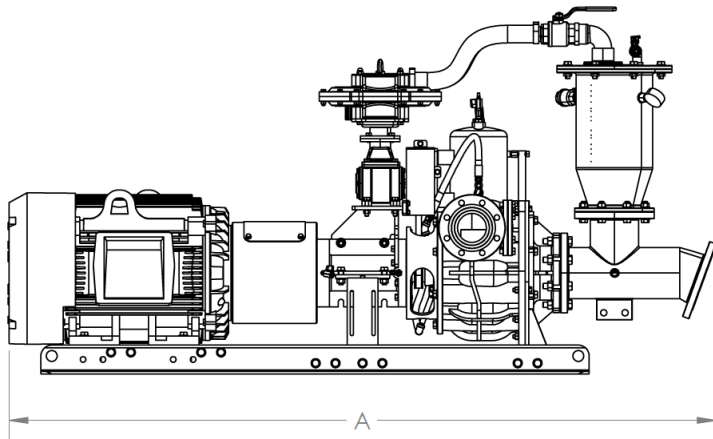
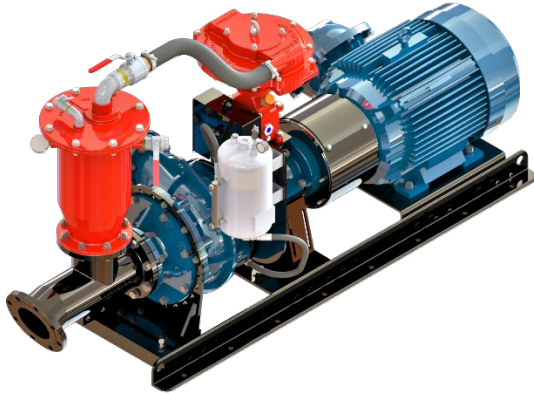
MODEL TYPE	EST. WEIGHT
50 HP	2,138 LBS.
100 HP	2,146 LBS.

HD PROCESS PUMP, HD4K TEFC ELECTRIC FLEX COUPLED



MODEL TYPE	SUCTION X DISCHARGE [IN]	NEMA FRAME	HP	RPM	A [IN]	B [IN]	C [IN]	WEIGHT LBS
HD4K	6x4	326TC	50	1800	76	32	39	1730
HD4K	6x4	365TC	50	1200	76	32	39	2000
HD4K	6x4	405TC	100	1800	82	32	39	2600
HD4K	6x4	405TC	125	1800	82	32	39	2600

HD PROCESS PUMP, HD4K TEFC ELECTRIC SELF-PRIME FLEX COUPLED



MODEL TYPE	SUCTION X DISCHARGE [IN]	NEMA FRAME	HP	RPM	A [IN]	B [IN]	C [IN]	WEIGHT LBS
HD4K	6x4	326TC	50	1800	94	38	51	2030
HD4K	6x4	365TC	50	1200	94	38	51	2300
HD4K	6x4	405TC	100	1800	99	38	51	2900
HD4K	6x4	405TC	125	1800	99	38	51	2900