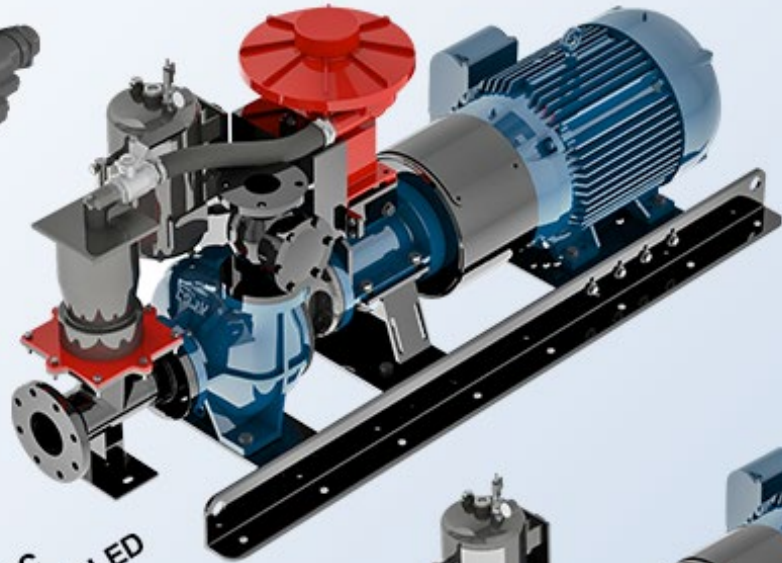
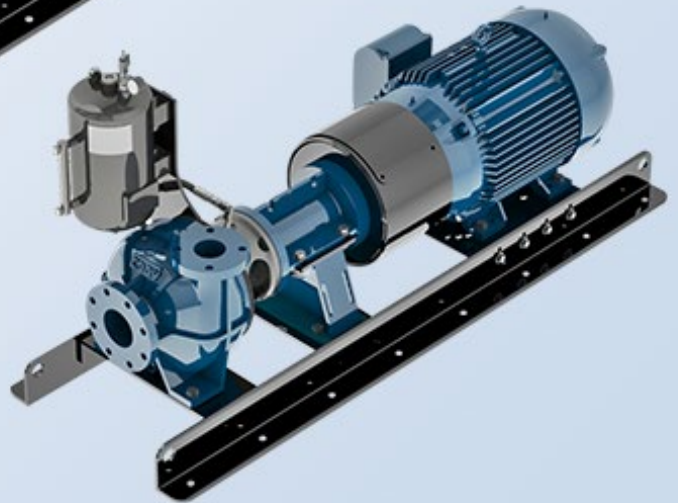




HD3K
SUBMERSIBLE



HD PROCESS PUMP
HD3K TEFC ELECTRIC
SELF-PRIME FLEX COUPLED



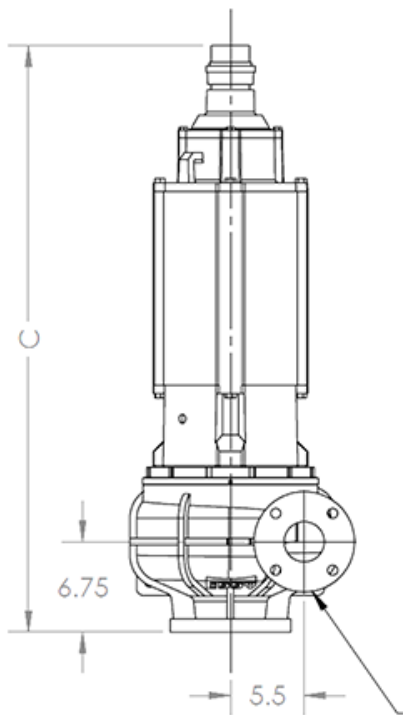
HD PROCESS PUMP
HD3K TEFC ELECTRIC
FLEX COUPLED

3-inch HD Process Pump

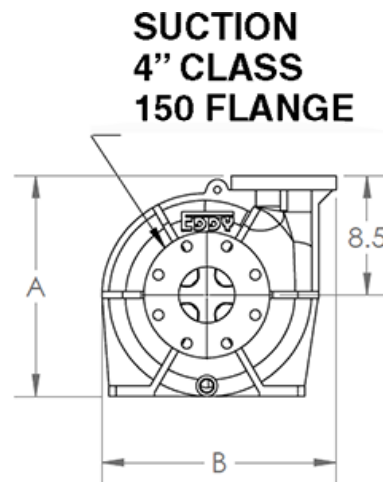
Weights & Dimensions

- SUBMERSIBLE PUMP
- TEFC PUMP
- TEFC WITH SELF-PRIMING

HD3K SUBMERSIBLE



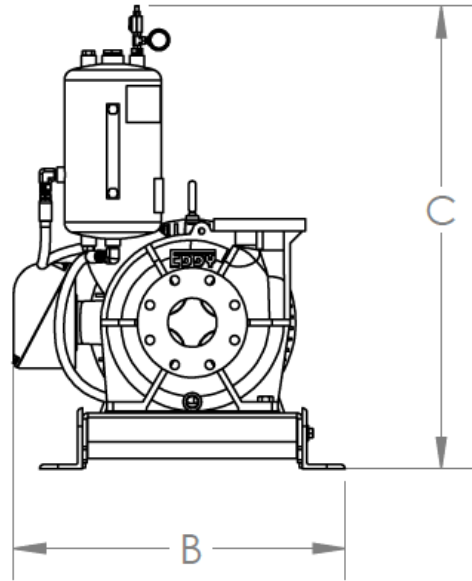
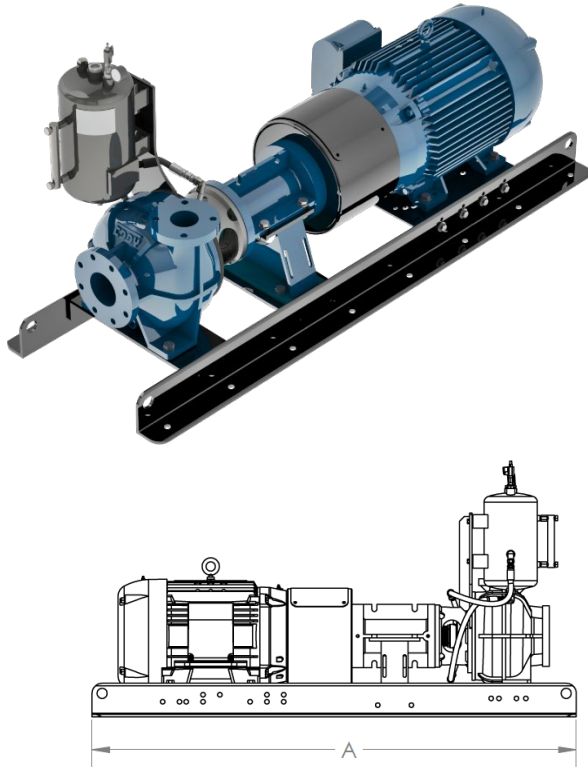
**DISCHARGE
3" CLASS
150 FLANGE**



**SUCTION
4" CLASS
150 FLANGE**

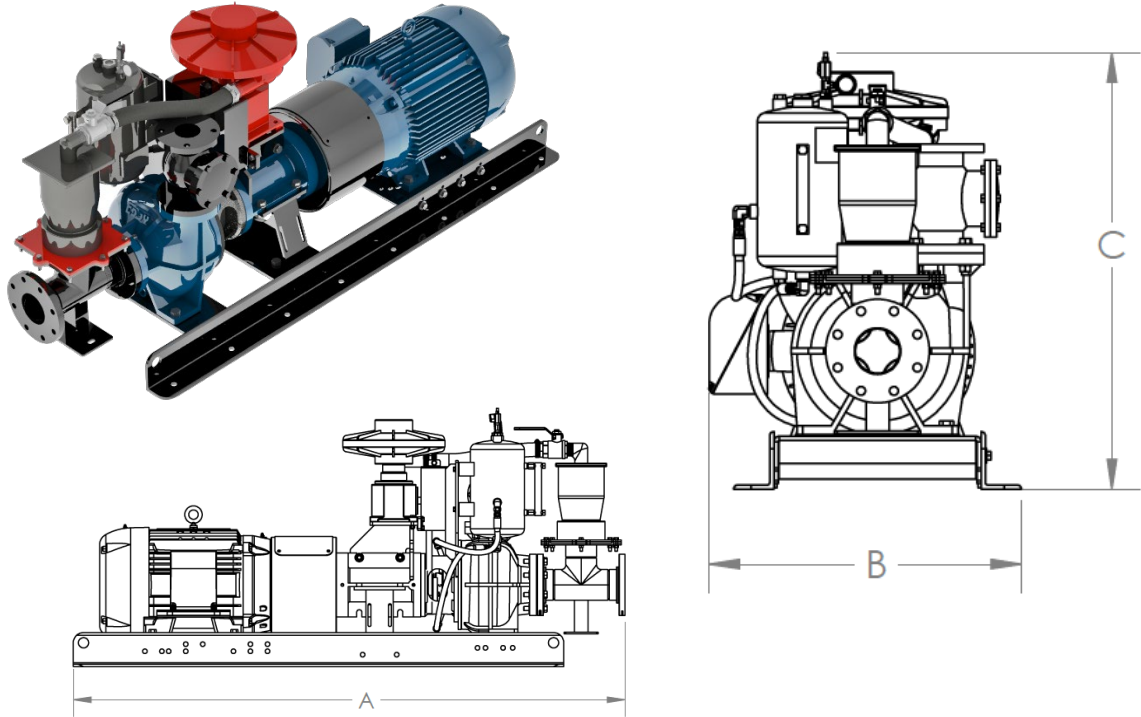
MODEL TYPE	A	B	C	EST. WEIGHT
20HP	16	17	44	554 LBS.
40HP	16	18	52	631 LBS.

HD PROCESS PUMP, HD3K TEFC ELECTRIC FLEX COUPLED



MODEL TYPE	SUCTION X DISCHARGE [IN]	NEMA FRAME	HP	RPM	A [IN]	B [IN]	C [IN]	WEIGHT LBS
HD3K	4x3	215TC	5	1800	72	27	38	1127
HD3K	4x3		10	1800	72	27	38	1127
HD3K	4x3	256TC	20	1800	72	27	38	1239
HD3K	4x3	286TC	20	1800	72	27	38	1429
HD3K	4x3		25	1800	72	27	38	1429
HD3K	4x3		30	1800	72	27	38	1429
HD3K	4x3		40	1800	72	27	38	1429
HD3K	4x3	326TC	50	1800	72	27	38	1540

HD PROCESS PUMP, HD3K TEFC ELECTRIC SELF-PRIME FLEX COUPLED



MODEL TYPE	SUCTION X DISCHARGE [IN]	NEMA FRAME	HP	RPM	A [IN]	B [IN]	C [IN]	WEIGHT LBS
HD3K	4x3	215TC	5	1800	81	27	38	1672
HD3K	4x3		10	1800	81	27	38	1672
HD3K	4x3	256TC	20	1800	81	27	38	1784
HD3K	4x3	286TC	20	1800	81	27	38	1947
HD3K	4x3		25	1800	81	27	38	1974
HD3K	4x3		30	1800	81	27	38	1974
HD3K	4x3		40	1800	81	27	38	1974
HD3K	4x3	326TC	50	1800	81	27	38	2085