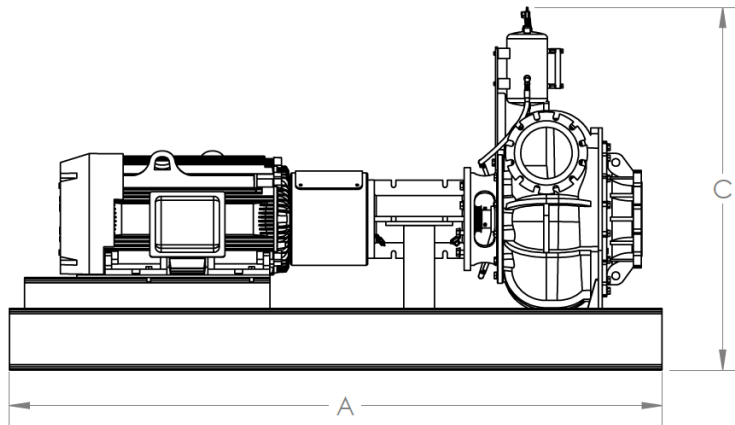
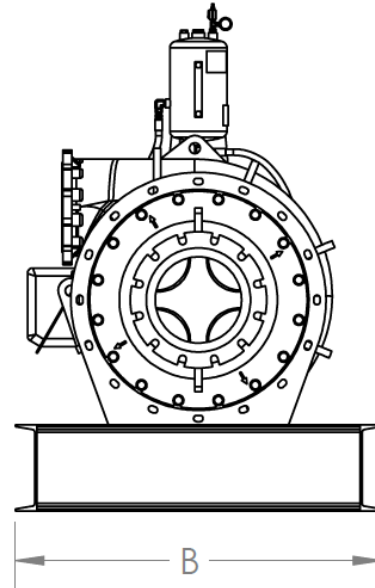
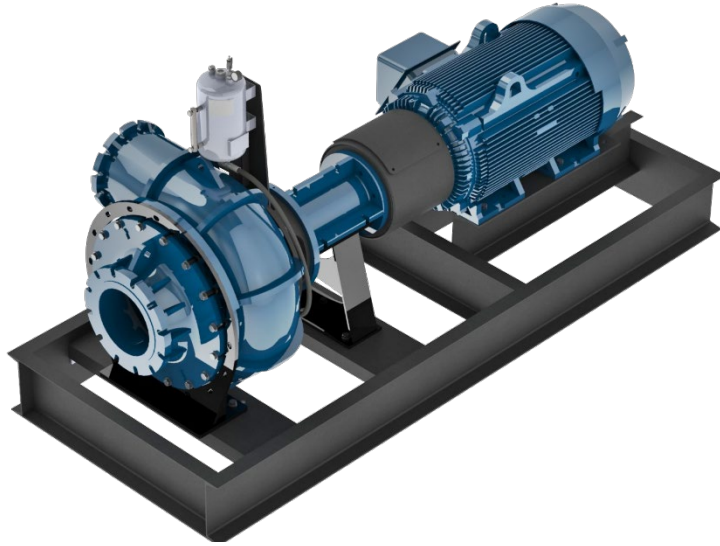


10-inch HD Process Pump

Weights & Dimensions

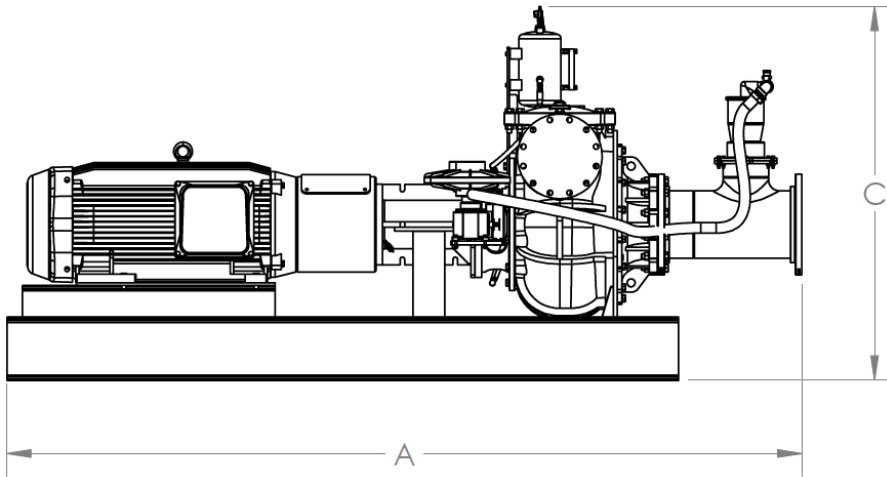
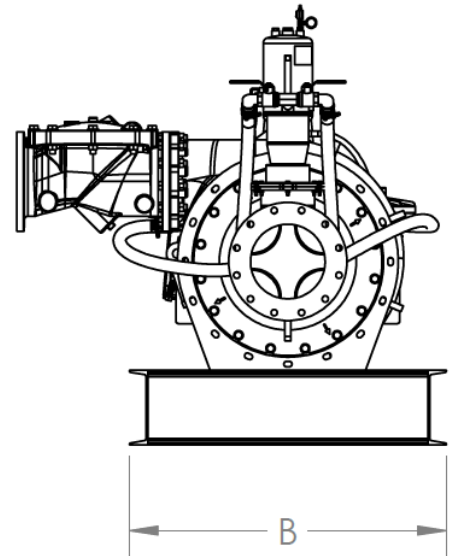
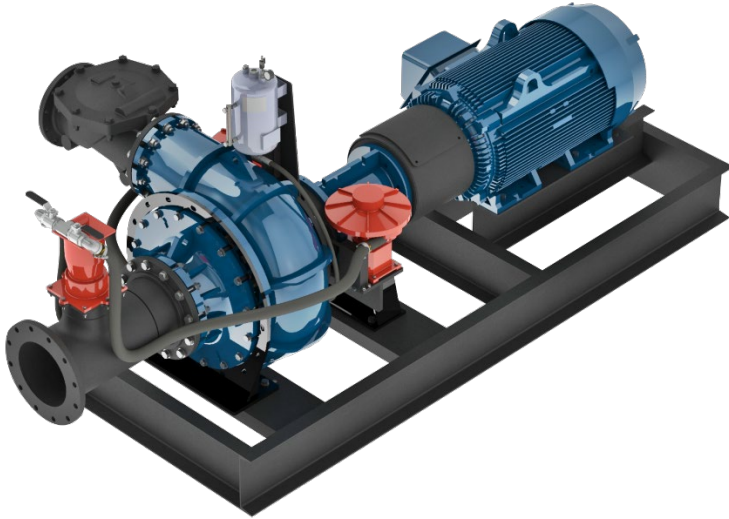
- TEFC PUMP
- TEFC WITH SELF-PRIMING
- TEFC WHISTLEPIPE

**HD PROCESS PUMP, HD10K TEFC
ELECTRIC FLEX COUPLED**



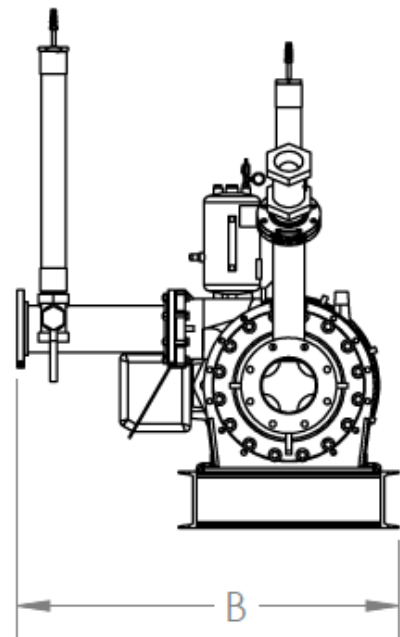
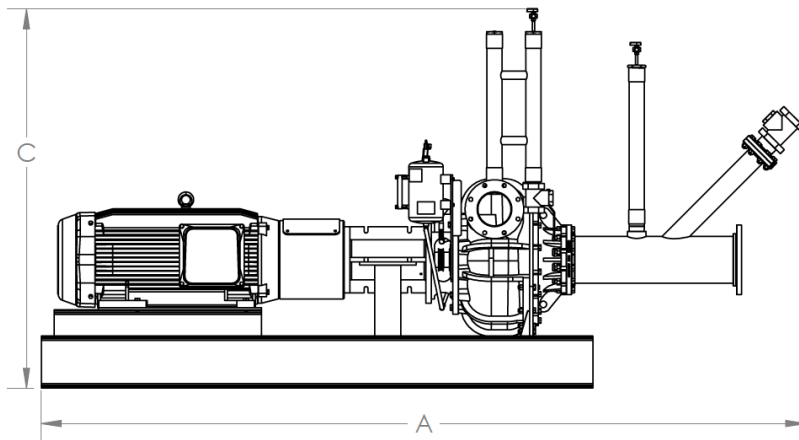
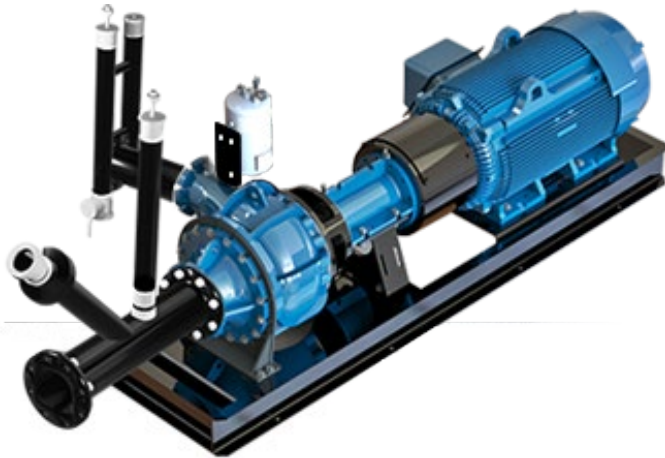
MODEL TYPE	SUCTION X DISCHARGE [IN]	NEMA FRAME	HP	RPM	A [IN]	B [IN]	C [IN]	WEIGHT LBS
HD10K	10x8	447TC	125	900	127	51	71	7386
HD10K	10x8		150	900	127	51	71	7386
HD10K	10x8		200	900	127	51	71	7386
HD10K	10x8	L449TC	250	900	127	51	71	8888
HD10K	10x8		300	1200	127	51	71	8888
HD10K	10x8	449TC	350	1200	127	51	71	7819
HD10K	10x8		400	1200	127	51	71	7819

**HD PROCESS PUMP, HD10K TEFC
ELECTRIC SELF-PRIME FLEX COUPLED**



MODEL TYPE	SUCTION X DISCHARGE [IN]	NEMA FRAME	HP	RPM	A [IN]	B [IN]	C [IN]	WEIGHT LBS
HD10K	12x10	447CT	125	900	151	51	71	8812
HD10K	12x10		150	900	151	51	71	8812
HD10K	12x10		200	900	151	51	71	8812
HD10K	12x10	L449TC	250	900	151	51	71	10314
HD10K	12x10		300	1200	151	51	71	10314
HD10K	12x10	449TC	350	1200	151	51	71	9245
HD10K	12x10		400	1200	151	51	71	9245

HD PROCESS PUMP, HD10K TEFC ELECTRIC FLEX COUPLED PUMP WITH WHISTLEPIPE



MODEL TYPE	SUCTION X DISCHARGE [IN]	NEMA FRAME	HP	RPM	A [IN]	B [IN]	C [IN]	WEIGHT LBS
HD8K	10x8	447CT	125	900	176	66	87	7733
HD8K	10x8		150	900	176	66	87	7733
HD8K	10x8		200	900	176	66	87	7733
HD8K	10x8	L449TC	250	900	176	66	87	9235
HD8K	10x8		300	1200	176	66	87	9235
HD8K	10x8	449TC	350	1200	176	66	87	8166
HD8K	10x8		400	1200	176	66	87	8166